

Rugged Engineered Products



20.1" High Definition Display

Model: REP-20LCD-RM115

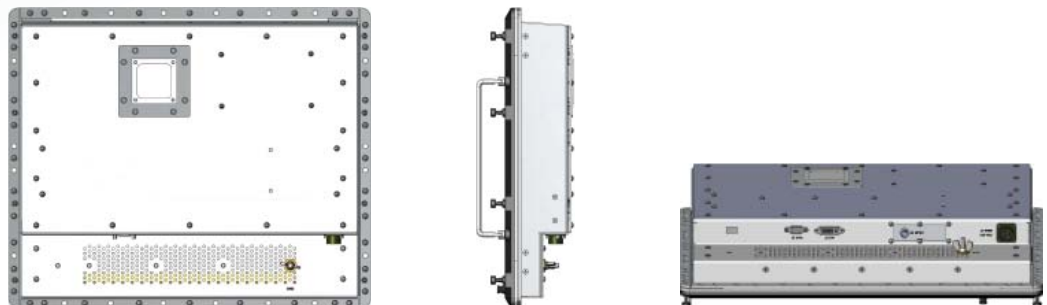
KEY FEATURES

- 20.1" Color Active Matrix Liquid Crystal Display
- High Resolution 1600 x 1200 (UXGA)
- Designed and Built to Military Standards
- VGA, DVI, NTSC
- Bonded Anti-Reflective Protective Window
- Wide Viewing Angle ± 89 Degrees

The REP-20LCD-RM115 is Epsilon's 20.1" display offering significant benefits with respect to dimensions, ruggedization and video quality. The 20LCD combines unmatched mechanical integrity with exceptionally low weight to provide a unique, rugged display solution, especially for applications where space and weight are critical.

The REP-20LCD-RM115 features a 20.1" Active Matrix Liquid Crystal Display 1600 x 1200 (UXGA) offering excellent performance in terms of brightness, crispness, contrast and viewing angle. The bezel and mounting can be customized to address virtually any mounting need in any application. Additionally, the REP-20LCD-RM115 combines this high level of performance and versatility with a very competitive price/performance value.

Epsilon's displays have been designed and qualified for application in the most hostile environments. Epsilon's rugged displays are well suited for specific naval combat, army and airborne applications.



TECHNICAL SPECIFICATIONS

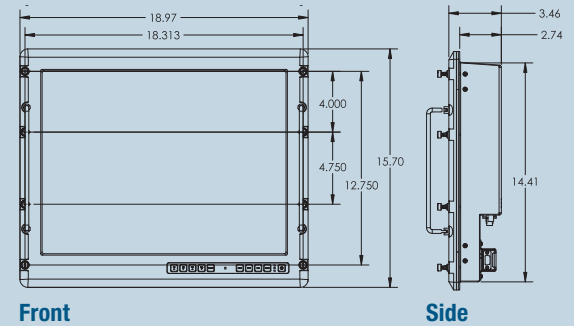
Active Display Area	20.1" TFT Active Matrix LCD
Display Resolution	1600 x 1200 (UXGA)
LCD Technology	CCFL Backlighting
Input Interface	VGA (HD15), DVI, NTSC, Touch Option
Brightness	300 cd/m ² (Minimum)
Viewing Angle	± 89 Degrees All Directions (Typical)
Contrast Ratio	700:1 (Typical)
Display Colors	16M
Power Supply	100-240 VAC
Model Number	REP-20LCD-RM115
User Controls	Brightness/Dim, Power, Channel Up/Down, Menu, Mode

RIGOROUS MILITARY SPECIFICATIONS

MIL-STD-167-1, Type 1	Vibration
MIL-STD-810	Environmental
MIL-STD-901D Grade A, Class I, Type A	Shock
MIL-STD-461E	EMI/EMC

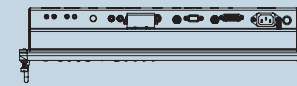
ENVIRONMENTAL SPECIFICATIONS

IP Rating	IP65 Drip Proof
Operating Temperature	0°C to 50°C
Storage Temperature	-20°C to +60°C
Humidity	5 to 95% @ RH Non-condensing
Altitude	0 to 15,000 ft. above sea level (Up to 40,000 ft. storage)

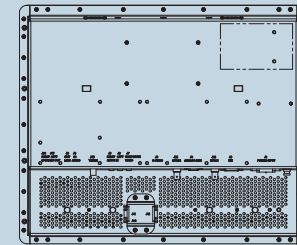


Front

Side



Top



Back

DIMENSIONS	INCHES	MILLIMETERS
Height	15.71"	399.1 mm
Width	18.97"	481.8 mm
Depth	4.63"	117.6 mm
Weight	25 lbs	11.3 kg

Business Development Manager

Rugged Engineered Products Sector

(T) 619-702-1700

(E) REPInfo@epsilonsystems.com

Rugged Engineered Products Sector

5482 Complex Street, Suite 109

San Diego, CA 92123

(T) 619-702-1700

Headquarters and Corporate Office

9242 Lightwave Ave., Suite 100

San Diego, CA 92123